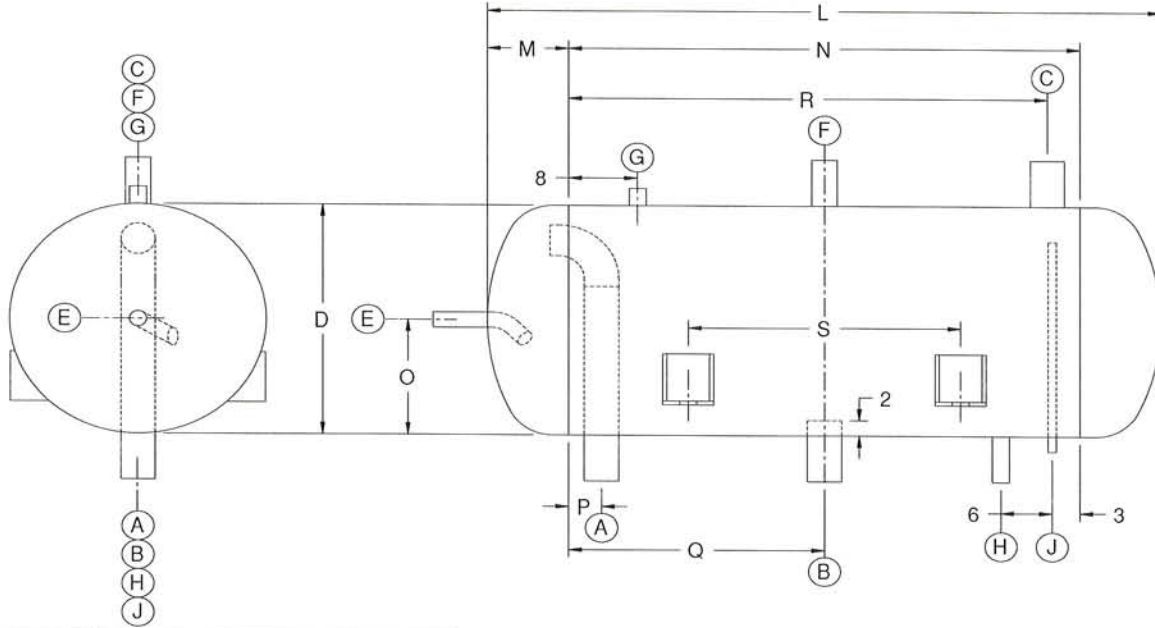




**STANDARD SINGLE FLOW
HORIZONTAL SURGE DRUM**



Nozzle	Description	Connection
A	Wet Return	Stub
B	Liquid Outlet	Stub
C	Gas Outlet	Stub
E	Liquid Makeup	Stub
F	Float Column	Stub
G	Relief	Coupling
H	Oil Pot Drain	Stub
J	Oil Pot Vent	Coupling

DIMENSIONS

MODEL #	A	B	C	D	E	F	N	O	P	Q	R	S	Surge Vol. Cu. Ft.	Weight (Lb)
HSDS-12-83	2"	2"	2"	12-3/4"	3/4"	1-1/4"	72"	6"	3"	36"	69"	42"	2.01	380
HSDS-14-83	2"	2"	2"	14"	3/4"	1-1/4"	72"	7"	3"	36"	69"	42"	2.86	465
HSDS-16-84	2"	2"	2"	16"	1"	1-1/4"	72"	8"	3"	36"	69"	42"	3.41	470
HSDS-18-85	2-1/2"	3"	2-1/2"	18"	1"	1-1/4"	72"	9"	4"	36"	68"	43"	4.60	610
HSDS-20-86	3"	3"	3"	20"	1-1/4"	1-1/4"	72"	10"	4"	36"	68"	43"	5.99	560
HSDS-24-88	3"	4"	3"	24"	1-1/4"	1-1/4"	72"	12"	4"	36"	68"	44"	9.25	935
HSDS-30-115	4"	4"	4"	30"	1-1/2"	1-1/4"	96"	15"	5"	48"	91"	58"	19.78	1430
HSDS-36-118	4"	5"	4"	36"	2"	1-1/4"	96"	18"	5"	48"	91"	59"	28.56	2225
HSDS-42-121	5"	5"	5"	42"	2"	1-1/4"	96"	21"	6"	48"	90"	61"	40.58	2655
HSDS-48-124	5"	6"	5"	48"	2"	1-1/4"	96"	24"	6"	48"	90"	62"	55.37	3890
HSDS-54-128	6"	6"	6"	54"	2-1/2"	1-1/4"	96"	27"	6"	48"	90"	64"	68.14	3735
HSDS-60-131	6"	8"	6"	60"	2-1/2"	1-1/4"	96"	30"	6"	48"	90"	66"	86.95	5225

Notes:

All dimensions and Nozzle sizes are given in inches.

Please consult factory for certified drawings.

Surge volume is the amount of area between normal operating level and high level

12" thru 48" vessels are designed for 300# DWP -40 +200 Design Temp. Per ASME Section

54" and larger vessels are designed for 250# DWP -40 +200 Design Temp. Per ASME !

HORIZONTAL SURGE DRUM CAPACITIES SINGLE FLOW

MODEL #	OPERATING TEMPERATURE					
	TWO STAGE			SINGLE STAGE		
	-50	-40	-30	-20	-20	-10
HSDS-12-83	6.0	7.4	9.0	10.6	9.2	10.7
HSDS-14-83	7.8	9.7	11.7	13.9	12.1	14.0
HSDS-16-84	11.1	13.7	16.6	19.6	17.1	19.7
HSDS-18-85	13.8	17.2	20.7	24.5	21.4	24.7
HSDS-20-86	17.6	21.9	26.5	31.3	27.3	31.5
HSDS-24-88	24.9	30.8	37.3	44.1	38.4	44.4
HSDS-30-115	39.7	49.2	59.6	70.5	61.3	70.9
HSDS-36-118	56.7	70.2	84.9	101.0	87.4	101.0
HSDS-42-121	78.2	96.8	117.0	139.0	121.0	139.0
HSDS-48-124	103.0	128.0	154.0	183.0	159.0	184.0
HSDS-54-128	129.0	161.0	194.0	230.0	200.0	231.0
HSDS-60-131	161.0	200.0	242.0	286.0	249.0	288.0

NOTES:

Capacities are given in tons of refrigeration. (R-717)

Two stage capacities are based on +35 deg. F liquid feed temperature.

Single stage capacities are based on +95 deg. F liquid feed temperature