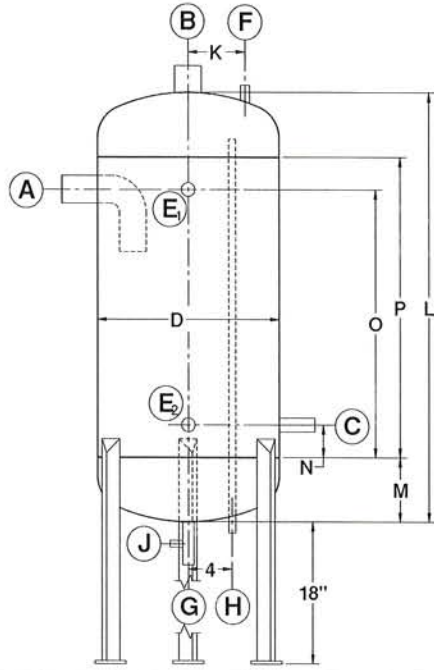
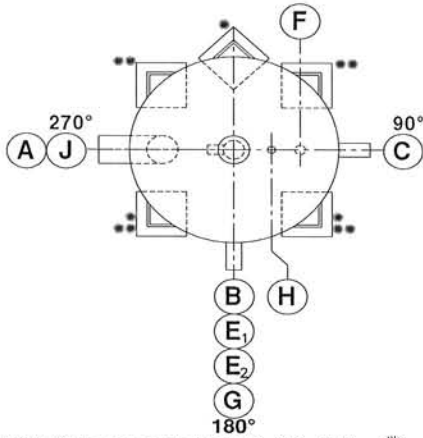




STANDARD VERTICAL ACCUMULATOR



12" thru 24" vessels have 3 legs (0 - 120 - 240) ☀
 30" and larger have 4 legs (45 - 135 - 225 - 315) ☀☀

| Nozzle | Description | Connection |
|--------|---------------|------------|
| A | Wet Return | Stub |
| B | Gas Outlet | Stub |
| C | Liquid Outlet | Stub |
| E | Float Column | Stub |
| F | Relief | Coupling |
| G | Oil Pot Drain | Stub |
| H | Oil Pot Vent | Coupling |
| J | Drain | Coupling |

VERTICAL ACCUMULATOR DIMENSIONS

| MODEL # | A | B | C | D | E | F | G | H | J | K | L | M | N | O | P | Weight (Lb) | Vol. (Cu. Ft.) |
|-----------|-----|-----|--------|---------|--------|------|----|----|----|------|----------|---------|----|-----|-----|-------------|----------------|
| VA-12-83 | 3" | 3" | 1-1/2" | 12-3/4" | 1-1/4" | 1/2" | 2" | 1" | 1" | 4.5" | 72" | 5-1/2" | 4" | 68" | 72" | 325 | 2.25 |
| VA-14-83 | 3" | 3" | 1-1/2" | 14" | 1-1/4" | 1/2" | 2" | 1" | 1" | 4.5" | 83-1/2" | 5-3/4" | 4" | 68" | 72" | 525 | 3.31 |
| VA-16-84 | 3" | 3" | 2" | 16" | 1-1/4" | 1/2" | 2" | 1" | 1" | 4.5" | 84-1/2" | 6-1/4" | 4" | 68" | 72" | 425 | 4.53 |
| VA-18-85 | 3" | 3" | 2" | 18" | 1-1/4" | 1/2" | 2" | 1" | 1" | 4.5" | 85-1/4" | 6-5/8" | 4" | 68" | 72" | 550 | 5.7 |
| VA-20-86 | 4" | 4" | 2" | 20" | 1-1/4" | 1/2" | 2" | 1" | 1" | 5" | 86-3/4" | 7-3/8" | 4" | 67" | 72" | 515 | 6.74 |
| VA-24-88 | 4" | 4" | 2-1/2" | 24" | 1-1/4" | 3/4" | 2" | 1" | 1" | 5.5" | 88-1/2" | 8-1/4" | 4" | 67" | 72" | 885 | 9.58 |
| VA-30-115 | 5" | 5" | 3" | 30" | 1-1/4" | 3/4" | 2" | 1" | 1" | 6.5" | 115-1/2" | 9-3/4" | 4" | 90" | 96" | 1375 | 23.53 |
| VA-36-118 | 6" | 6" | 3" | 36" | 1-1/4" | 3/4" | 2" | 1" | 1" | 8" | 118-1/2" | 11-1/4" | 4" | 90" | 96" | 2175 | 32.85 |
| VA-42-121 | 6" | 6" | 4" | 42" | 1-1/4" | 3/4" | 2" | 1" | 1" | 8" | 121-1/2" | 12-3/4" | 5" | 90" | 96" | 2600 | 44.31 |
| VA-48-124 | 8" | 8" | 4" | 48" | 1-1/4" | 3/4" | 2" | 1" | 1" | 12" | 124-1/2" | 14-1/4" | 5" | 88" | 96" | 3050 | 53.21 |
| VA-54-128 | 8" | 8" | 4" | 54" | 1-1/4" | 3/4" | 2" | 1" | 1" | 12" | 128" | 16" | 5" | 88" | 96" | 3590 | 67.67 |
| VA-60-131 | 8" | 8" | 5" | 60" | 1-1/4" | 3/4" | 2" | 1" | 1" | 12" | 131" | 17-1/2" | 6" | 88" | 96" | 4100 | 82.27 |
| VA-72-137 | 10" | 10" | 5" | 72" | 1-1/4" | 1" | 2" | 1" | 1" | 12" | 137" | 20-1/2" | 6" | 86" | 96" | 7800 | 106.93 |
| VA-84-143 | 10" | 10" | 6" | 84" | 1-1/4" | 1" | 2" | 1" | 1" | 12" | 143" | 23-1/2" | 6" | 86" | 96" | 9650 | 145.4 |
| VA-96-148 | 12" | 12" | 8" | 96" | 1-1/4" | 1" | 2" | 1" | 1" | 12" | 148-1/2" | 26-1/4" | 8" | 84" | 96" | 13480 | 161.5 |

Notes:

All dimensions and Nozzle sizes are given in inches.
 Please consult factory for certified drawings.
 Surge volume is the amount of area between normal operating level and high level cutout.

12" thru 48" vessels are designed for 300# DWP -40 +200 Design Temp. Per ASME Section VIII, Division 1

54" and larger vessels are designed for 250# DWP -40 +200 Design Temp. Per ASME Section VIII, Division 1

VERTICAL ACCUMULATOR CAPACITIES

| MODEL # | OPERATING TEMPERATURE | | | | | | | | | | |
|-----------|-----------------------|--------|--------|--------|--------|--------------|--------|--------|--------|--------|--------|
| | TWO STAGE | | | | | SINGLE STAGE | | | | | |
| | -50 | -40 | -30 | -20 | -10 | 0 | +10 | +20 | +30 | +40 | |
| VA-12-83 | 12.7 | 15.7 | 19.0 | 22.6 | 19.6 | 22.6 | 25.6 | 29.3 | 32.9 | 36.1 | 38.7 |
| VA-14-83 | 16.9 | 20.8 | 25.3 | 29.9 | 26.0 | 30.1 | 34.0 | 38.9 | 43.7 | 47.9 | 51.4 |
| VA-16-84 | 23.1 | 28.6 | 34.6 | 40.9 | 35.6 | 41.2 | 46.5 | 53.2 | 59.7 | 65.6 | 70.3 |
| VA-18-85 | 29.0 | 35.9 | 43.4 | 51.5 | 44.7 | 51.7 | 58.5 | 66.9 | 75.1 | 82.4 | 88.4 |
| VA-20-86 | 36.5 | 45.2 | 54.7 | 64.7 | 56.3 | 65.2 | 73.6 | 84.3 | 94.5 | 104.0 | 112.0 |
| VA-24-88 | 51.9 | 64.3 | 77.8 | 92.1 | 80.1 | 92.7 | 105.0 | 120.0 | 134.0 | 147.0 | 159.0 |
| VA-30-115 | 82.1 | 102.0 | 123.0 | 145.0 | 126.0 | 147.0 | 166.0 | 189.0 | 213.0 | 234.0 | 251.0 |
| VA-36-118 | 117.0 | 146.0 | 176.0 | 209.0 | 181.0 | 210.0 | 237.0 | 271.0 | 305.0 | 334.0 | 359.0 |
| VA-42-121 | 161.0 | 200.0 | 242.0 | 287.0 | 249.0 | 288.0 | 326.0 | 372.0 | 418.0 | 459.0 | 492.0 |
| VA-48-124 | 212.0 | 263.0 | 318.0 | 376.0 | 327.0 | 379.0 | 428.0 | 490.0 | 549.0 | 603.0 | 647.0 |
| VA-54-128 | 270.0 | 334.0 | 405.0 | 478.0 | 416.0 | 481.0 | 544.0 | 623.0 | 698.0 | 767.0 | 822.0 |
| VA-60-131 | 334.0 | 414.0 | 501.0 | 593.0 | 516.0 | 597.0 | 674.0 | 771.0 | 865.0 | 950.0 | 1019.0 |
| VA-72-137 | 481.0 | 595.0 | 720.0 | 853.0 | 741.0 | 858.0 | 969.0 | 1109.0 | 1244.0 | 1366.0 | 1465.0 |
| VA-84-143 | 654.0 | 809.0 | 979.0 | 1159.0 | 1008.0 | 1167.0 | 1318.0 | 1508.0 | 1692.0 | 1858.0 | 1991.0 |
| VA-96-148 | 855.0 | 1056.0 | 1278.0 | 1513.0 | 1315.0 | 1522.0 | 1720.0 | 1968.0 | 2208.0 | 2425.0 | 2601.0 |

NOTES:

Capacities are given in tons of refrigeration. (R-717)
 Two stage capacities are based on +35 deg. F liquid feed temperature.
 Single stage capacities are based on +95 deg. F liquid feed temperature